

Articles in this section

[Pro-LJ Spec Sheet](#)


Pro-LJ Spec Sheet

4 years ago

PRO-LJ **COMMERCIAL LIMITED DUTY BELT DRIVE JACKSHAFT OPERATOR**
Designed for use on commercial sectional doors with high or vertical lift track and small rolling grilles that require no more than 15 cycles per hour

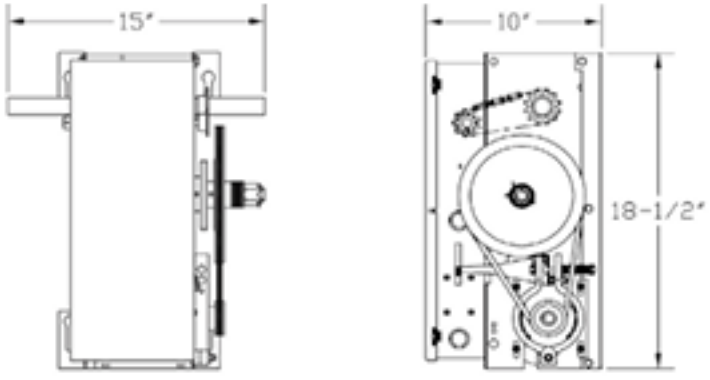
STANDARD FEATURES

- **2 year Warranty**
- 24V class 2 control circuit with 40VA transformer to protect against short circuit
- On board receiver with antenna
- External radio control terminal strip
- Low friction powder metal limit cam nuts with fully adjustable rotary limit switches
- Three button open-close-stop control station Nema-1
- 1/2 HP high starting torque, instant reversible motor protected by internal automatic thermal overload device
- Heavy duty 4L V-belt
- #41 roller chain & sprockets on all internal drives
- Adjustable friction clutch
- 3/4" permanently lubricated & sealed ball bearings on pulley shaft
- 1" permanently lubricated & sealed ball bearings on final drive shaft
- Solenoid brake standard
- Emergency disconnect with electrical cut-out switch for manual operation
- Chain keeper
- Left or right hand mounting
- #41 roller chain and sprockets on final drive
- Baked on dark grey coat finish
- Shipping weight 65 lbs
- N-1 photocells included for doors up to 24' wide

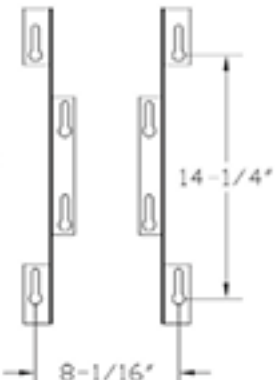


When ordering a PRO-LJ operator, supply Nice with the following information:

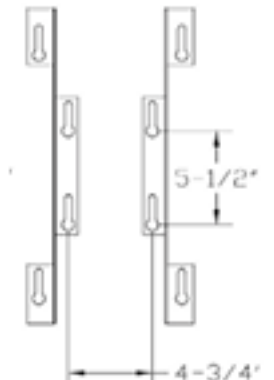
- Door height
- Door width
- Type of door
- Voltage/ Phase
- Safety devices
- Door shaft diameter & door shaft key size
- Control circuit options (see page 5-6)



WALL MOUNT



BRACKET MOUNT



montreal | phoenix | atlanta | chicago

1 (877) 888 1116

 [Nice_Spec-Sheet_PRO-LJ.pdf](#)
700 KB · Download

Related articles

[Pro-J Spec Sheet](#)
[Pro-LJ Shop Drawing](#)
[Pro-J Instruction Manual - English](#)
[Pro-LJ Instruction Manual - English](#)
[Pro-GJ Spec Sheet](#)